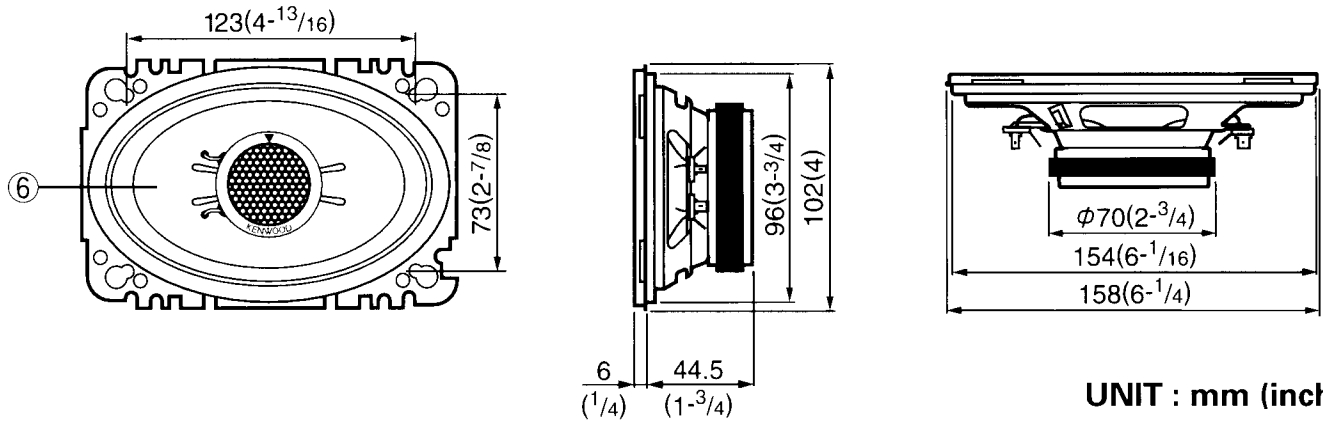


KFC-HQ465C

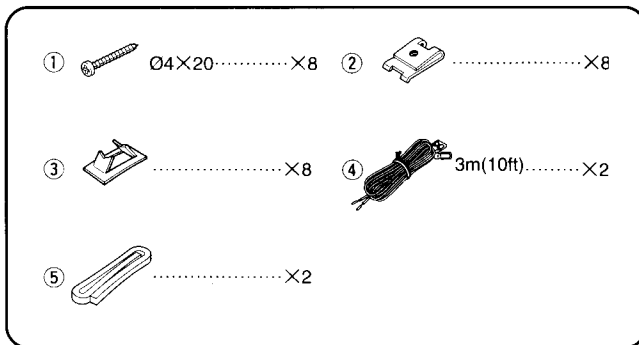
SERVICE MANUAL

EXTERNAL VIEW



UNIT : mm (inch)

PARTS INCLUDED



PARTS LIST

* New parts

Parts without **Parts No.** are not supplied.

Les articles non mentionnés dans le **Parts No.** ne sont pas fournis.

Teile ohne **Parts No.** werden nicht geliefert.

Ref No.	New Parts	Parts No.	Description
①~③		N99-1245-08	SCREW SET
④		E30-5366-08	CORD SET
⑤		G53-1108-08	PACKING
⑥	*	T15-0337-08	SPEAKER

SPECIFICATIONS

Speakers

Woofers	95×153mm(4×6in) Pearl Mica Cone Type
	160g(5.6oz) Magnet
Tweeter	30mm(1-3/16in) P.P.T.A. Balanced Dome Type
Peak Power	60 Watts
Frequency Response	40 Hz~30,000 Hz
Sensitivity	90 dB/W at 1m
Impedance	4 Ohms
Net Weight	1,060g(2.3 lb)/Pair

We follow a policy of advancements in development. For this reason specifications may be changed without notice.